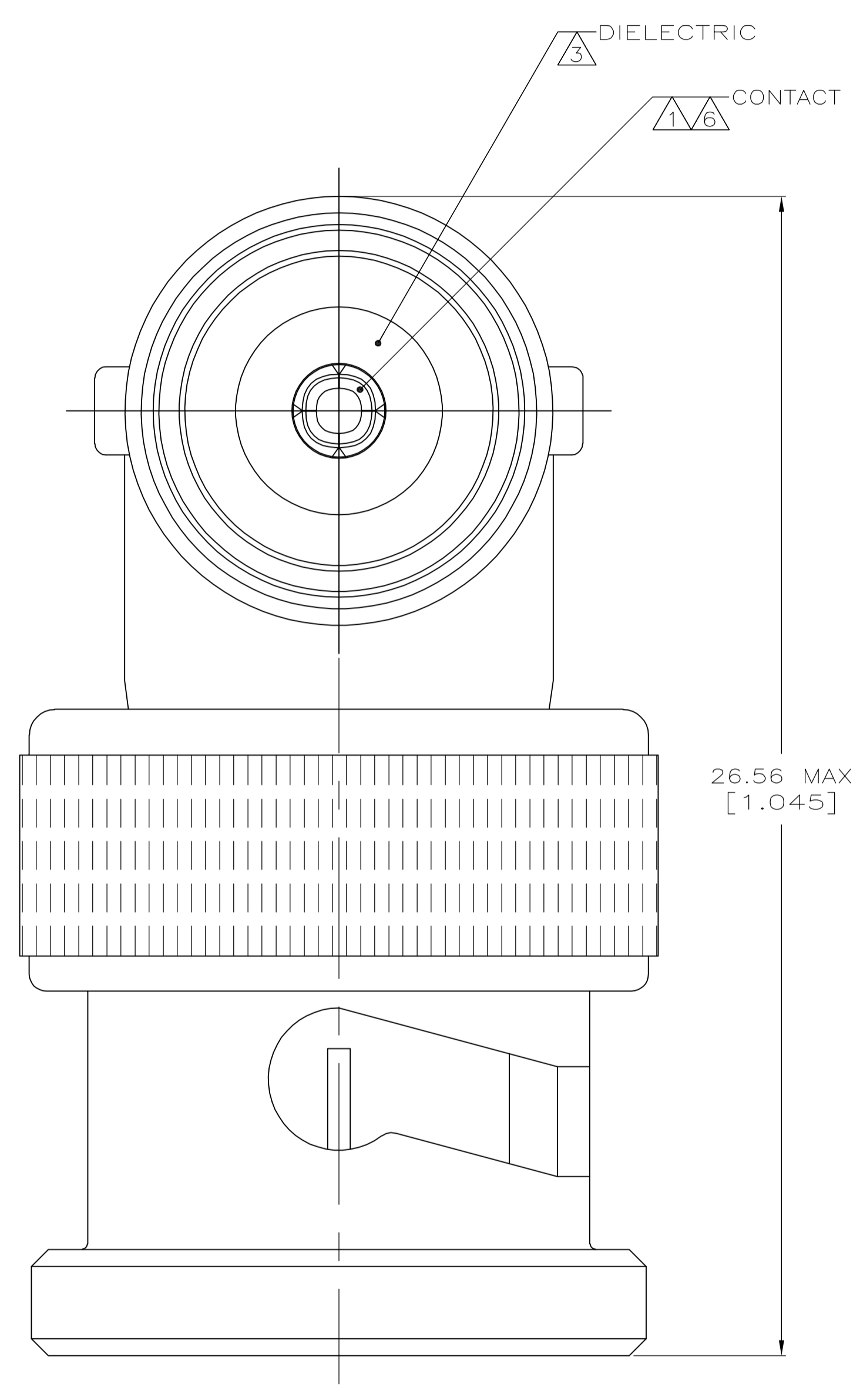
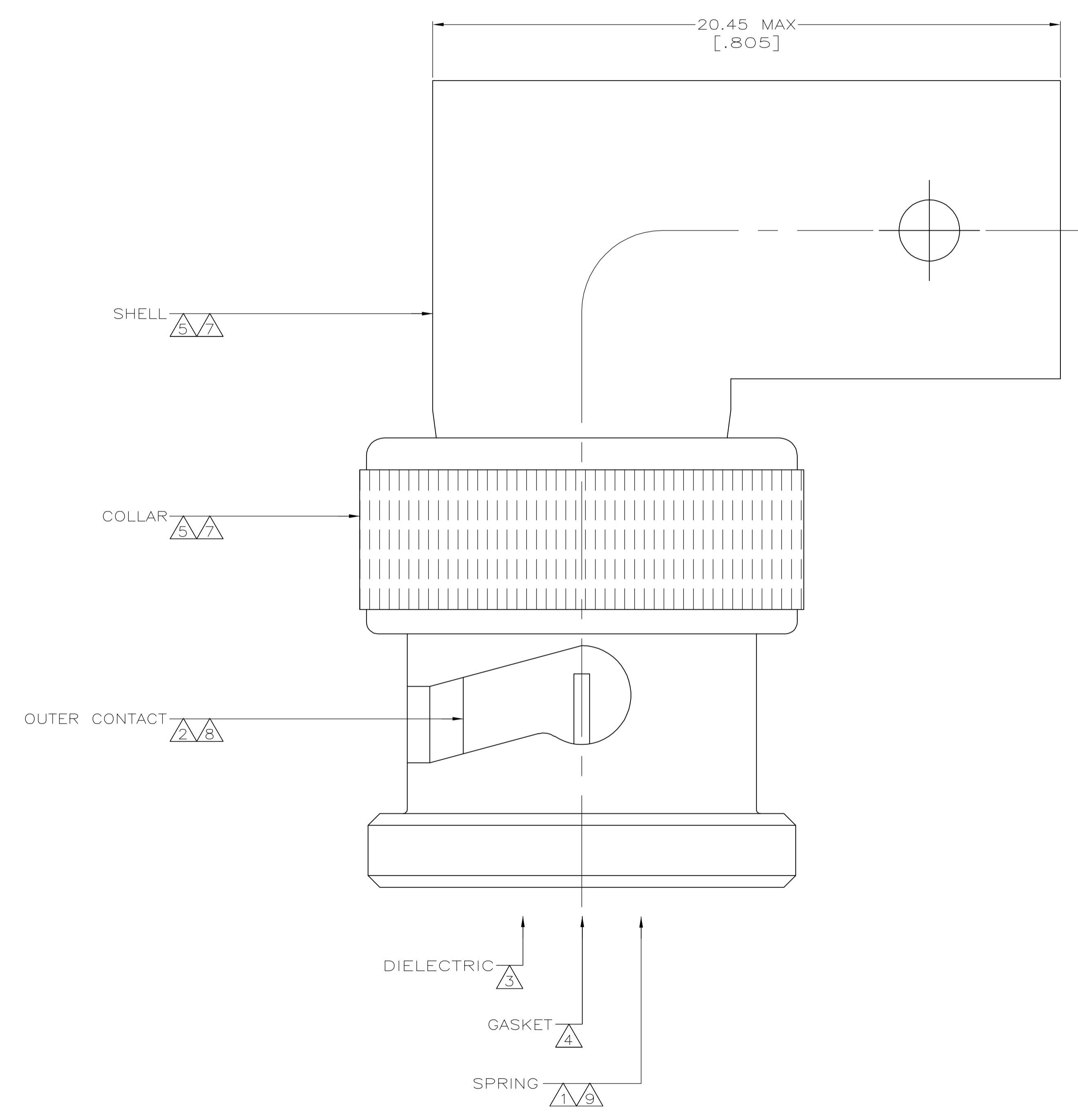


LOC	DIST	REVISIONS			
P	LTR	DESCRIPTION	DATE	DWN	APVD
AJ	00	K1	REV PER ECO 06-029805	2/6/2007	DW JL

- △ BERYLLIUM COPPER PER ASTM-B-194
- △ BRASS PER ASTM-B-16
- △ PTFE PER MIL-P-19468
- △ SILICONE RUBBER PER ZZ-R-765
- △ ZINC DIE CAST PER ASTM-B-86
- △ GOLD PLATE PER MIL-G-45204, 0.76 μm [.000030] MIN THICKNESS
- △ NICKEL PLATE PER QQ-N-290, 1.27 μm [.000050] MIN THICKNESS
- △ NICKEL PLATE PER QQ-N-290, 2.54 μm [.000100] MIN THICKNESS
- △ TIN PLATE PER ASTM-B-545, 2.54 μm [.000100] MIN THICK.



SUPERCEDED BY	9-222165-0
OBSOLETE	9-222165-0
	222165-2
OBSOLETE	222165-1

PART NUMBER

THIS DRAWING IS A CONTROLLED DOCUMENT.

DIMENSIONS: mm [INCHES]	TOLERANCES UNLESS OTHERWISE SPECIFIED:	DWN: MICHAEL E. COWHER 15AUG95	CHK: MICHAEL J. PHILLIPS 17AUG95	APVD: MICHAEL J. PHILLIPS 15AUG95	NAME: MICHAEL J. PHILLIPS	tyco Electronics	Tyco Electronics Corporation Harrisburg, PA 17105-3608
0 PLC ± -	1 PLC ± -	2 PLC ± -	3 PLC ± -	4 PLC ± -	ANGLES ± -	PRODUCT SPEC	PLUG-JACK ADAPTER, RIGHT ANGLE, BNC
MATERIAL SEE NOTES	FINISH SEE NOTES	WEIGHT -	SIZE A1	CAGE CODE 00779	DRAWING NO. 222165	RESTRICTED TO	
CUSTOMER DRAWING		SCALE 10:1	SHEET 1 OF 1	REV K1			